

TEKNIC

Rocker Switches



TEKNIC Illuminated and Non-Illuminated Switches are compact and aesthetically elegant, and are suitable for snap mounting in the most common and standard panel cutouts. They are designed for use in a wide variety of applications, in Home Appliances, Office Automation Equipment like Photo-Copiers , Stabilizers , UPS , Printers, Power Supply Units, and other Electrical, Electronic and Instrumentation Equipment.

APPROVALS

Our Switches are Certified by VDE Germany, by KEMA with ENEC mark, by Canadian Standards Association (CSA) with C & US mark and Underwriters Laboratories (UL) with C & US mark which is recognised for sales in North American countries, and all over the world.

GENERAL

1. ELECTRICAL CHARACTERISTICS

Our switches are suitable for switching of resistive, inductive & capacitive loads to the extent of current and voltage ratings of our individual switches, as indicated against them.

2. AMBIENT TEMPERATURE

Our switches are suitable for operation in an ambient Temperature upto 85°C, i.e, T85

3. MATERIALS OF CONSTRUCTION

Housing : Nylon 66 (Un-filled)
 Flammability: UL 94, V-2
 Rocker Button : Nylon 66 / Polycarbonate
 Flammability: UL 94, V-2
 Terminals : Copper / Copper Alloy
 Contacts : Silver / Silver Alloy

4. REFERENCE STANDARDS

EN :61058-1, CSA-C22.2 No.55-M1986 & UL - 1054

5. TECHNICAL SPECIFICATION			
INSULATION RESISTANCE (New State) at 500V DC for 1minute	> 100 megohms. Ref : EN 61058-1		
CONTACT RESISTANCE (New State)	< 10 milliohms Ref : EN 61058-1		
DIELECTRICAL STRENGTH (New State)	Across reinforced insulation Across full disconnection Across micro disconnection	3000V 1500V 500V	Ref : EN 61058-1
CONTACT GAP	≥ 1.5 mm min. Full-Disconnect OR Micro-Disconnect (μ) as individually specified. Ref : EN 61058-1		
TERMINAL STRENGTH Push and pull forces for terminals in Newtons (N) (Ref : EN 61058-1)	Terminal size	Push - N	Pull - N
	4.8 x 0.8 mm. 6.3 x 0.8 mm.	80 96	98 88
FIXING	Snap - in Mounting		
ELECTRICAL ENDURANCE	10,000 CYCLES min. 6,000 CYCLES min.	Ref.: EN :61058-1 (CSA- C22.2 No.55)	
DEGREE OF PROTECTION	IP 30/40 Ref.: EN :61058-1		
PROTECTION AGAINST ELECTRIC SHOCK	CLASS II APPLIANCE Ref.: EN :61058-1		
HEAT & FIRE RESISTANCE	LEVEL 3 Glow wire test at 850° C Ref.: EN :61058-1		
DEGREE OF POLLUTION	2 (NORMAL) Ref.:EN :61058-1		
PROOF OF TRACKING INDEX	PTI 250V (material group IIIa) Ref.: EN :61058-1		
TEMPERATURE RISE AT THE TERMINALS (ACCORDING TO ELECTRICAL LIFE ENDURANCE)	max. 30° c (CSA- C22.2 No.55) (UL- 1054)		
	max. 55° c (EN :61058-1)		
RoHS COMPLIANT	YES		

6. APPEARANCE

7. OPERATING FUNCTIONS

() INDICATES MOMENTARY ACTION

TYPE	CIRCUIT FUNCTION	CODE	FUNCTIONS
N - NON ILLUMINATED	ON OFF	F1	SINGLE THROW
	(ON) OFF	F2	SINGLE THROW-SPRING RETURN ON 'ON' POSITION.
L - ILLUMINATED	ON (OFF)	F3	SINGLE THROW-SPRING RETURN ON 'OFF' POSITION.
	ON ON	F4	DOUBLE THROW.
NL - CENTRAL ILLUMINATION	(ON) ON	F5	DOUBLE THROW- SPRING RETURN IN ONE POSITION.
	ON OFF ON	F6	DOUBLE THROW- CENTER OFF
NT - NON ILLUMINATED TRANSPARENT	(ON) OFF ON	F7	DOUBLE THROW- CENTER OFF WITH SPRING RETURN IN ONE POSITION
	(ON) OFF (ON)	F8	DOUBLE THROW- CENTER OFF WITH SPRING RETURN ON BOTH POSITIONS

8. TERMINALS **

TERMINAL TYPE	CODE
4.8 x 0.8 mm.	A
6.3 x 0.8 mm.	B
SOLDERABLE TYPE	C
PCB TYPE	D
SCREW TYPE	S

9. HOUSING COLOURS

HOUSING COLOUR	CODE
BLACK (WITH POLE BARRIER)	BK
BLACK (WITHOUT POLE BARRIER)	BP
WHITE (WITH POLE BARRIER)	WH
WHITE (WITHOUT POLE BARRIER)	WP
GREY (WITH POLE BARRIER)	GY
GREY (WITHOUT POLE BARRIER)	GP

10. BUTTON COLOURS

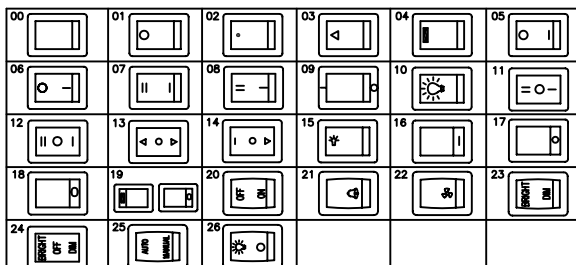
BUTTON COLOUR	CODE
BLACK	BK
WHITE	WH
GREY	GY
GREEN	GR
RED	RD
AMBER	AM

12. DUST COVER

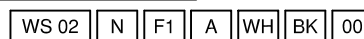
(Optional)
 Available only for
 WS00,WS01,WS02,WS06,
 WS08,WS09,WS10,WS11,
 WS12

** Note : connections to our switches with terminal designs A & B should be made only with lugs, and not by soldering.

11. PRINTING ON BUTTONS



ORDERING EXAMPLE :



BASIC TYPE
 APPEARANCE
 CIRCUIT FUNCTION
 TERMINAL TYPE
 ROCKER BUTTON PRINTING
 ROCKER BUTTON COLOUR
 HOUSING COLOUR

ROCKER SWITCH TYPE WS 02, NON ILLUMINATED, ON - OFF, TERMINAL 4.8, WHITE HOUSING (WITH POLE BARRIER), BLACK ROCKER BUTTON, WITH NIL PRINTING ON ROCKER BUTTON.

NOTE : 1) FOR SWITCH 2WS13 REPEAT THE ORDERING CODES FOR BOTH RIGHT & LEFT SIDE
 EXAMPLE : 2WS13 L F1 B BK AM 00 / 2WS13 N F1 B BK BK 00
 2) FOR DUST COVER CODE S13 TO BE ADDED AFTER CODE FOR PRINTING.
 EXAMPLE : WS02 N F1 A WH BK 00 S13



WS 00 UL/CSA RATING : 6A, 125 / 250V ~
 VDE RATING : 6(2)A, 250V ~
 : 6/45A(Inrush Current) 250V ~

WS 10 UL/CSA RATING: 16A, 125/250V ~ 1/2 HP
 VDE RATING : 16(6)A, 250V ~
 : 10/100A(Inrush Current) 250V~

POLES : SINGLE



WS 00R UL/CSA RATING : 6A, 125 / 250V ~
 VDE RATING : 6(2)A, 250V ~
 : 6/45A(Inrush Current) 250V ~

WS 10R UL/CSA RATING: 16A, 125/250V ~ 1/2 HP
 VDE RATING : 16(6)A, 250V ~
 : 10/100A(Inrush Current) 250V~

POLES : SINGLE



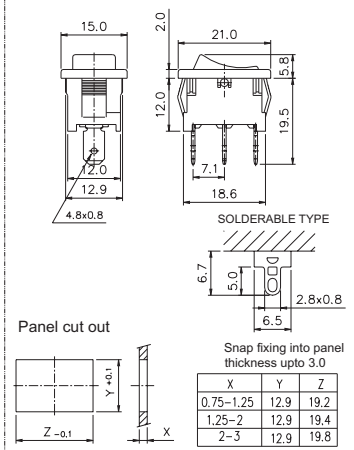
WS 09 CSA RATING : 6A, 125/250V ~ 4A,12V DC
 (μ Gap)
 VDE RATING : 6(2)A, 250V ~
 : 6/45A(Inrush Current) 250V ~

POLES : SINGLE

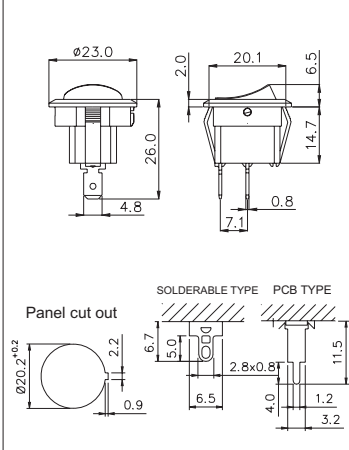


WS 03/13 UL/CSA RATING : 6A, 125/250V ~ 6A 24V DC
 VDE RATING : 6(3)A, 250V ~
 UL/CSA RATING : 16A, 125/250V ~ 16A 24V DC
 VDE RATING : 16(4)A, 250V ~
 CAPACITIVE : 16/150A 250V~5E4
 LOAD RATING
 INTERNAL TESTING

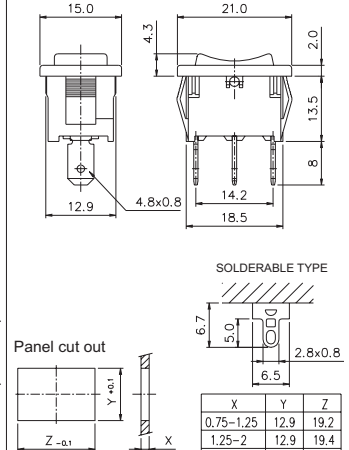
POLES : SINGLE



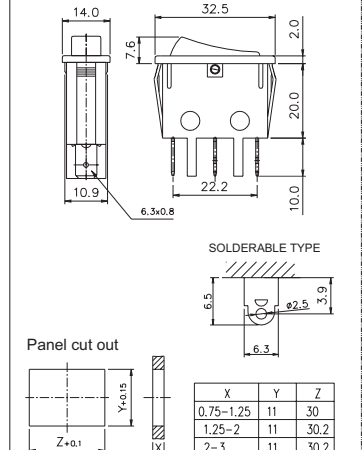
TYPE : NON-ILLUMINATED ONLY.
 FUNCTIONS : F1,F2,F3,F4,F5
 TERMINALS : A, C,
 APPROVALS :



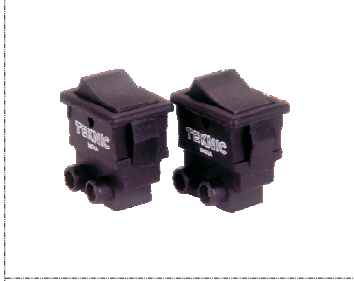
FUNCTIONS : F1,F2,F3,F4,F5
 TERMINALS : A, C, D
 APPROVALS :



TYPE : NON-ILLUMINATED ONLY.
 FUNCTIONS : F6,F7,F8
 TERMINALS : A, C
 APPROVALS :



FUNCTIONS : F1,F2,F3,F4
 TERMINALS : B, C
 APPROVALS :



WS 14 RATING : 10(4)A, 250V ~

POLES : SINGLE



WS 39 UL/CSA RATING : 6A, 125/250V ~ 6A 24V DC
 VDE RATING : 6(3)A, 250V ~

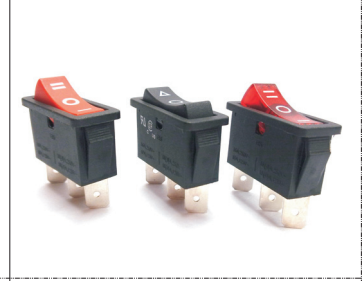
WS 49 UL/CSA RATING: 16A,125/ 250V ~ 16A 24V DC
 VDE RATING : 16(4)A, 250V ~
 CAPACITIVE : 16/150A 250V~5E4
 LOAD RATING
 INTERNAL TESTING

POLES : SINGLE



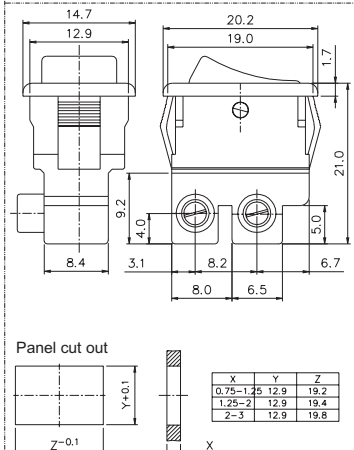
WS 17 : 6(2)A, 250V ~
 (μ Gap)

POLES : SINGLE

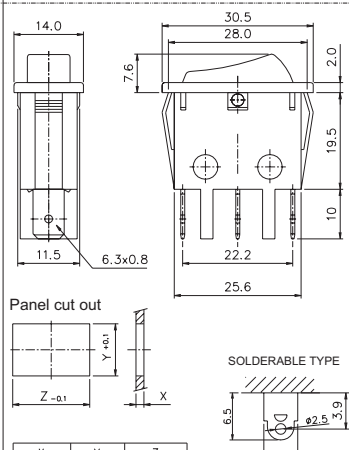


WS 27 UL/CSA RATING:16A, 125 /250V ~ 16A 24V DC
 (μ Gap) KEMA RATING : 16(4)A, 250V ~
 (ENEC) :16/45A(Inrush Current) 250V ~

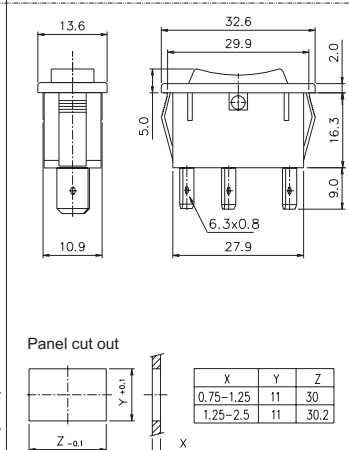
POLES : SINGLE



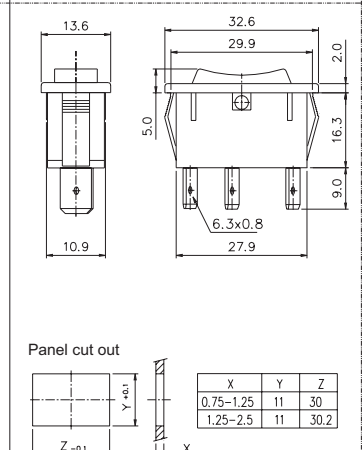
TYPE : NON-ILLUMINATED ONLY.
 FUNCTIONS : F1
 TERMINALS : M3 Screw Terminal



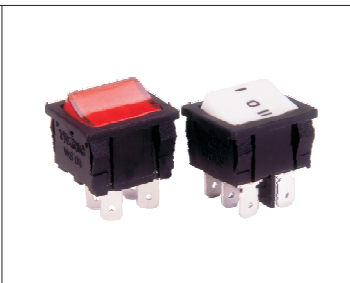
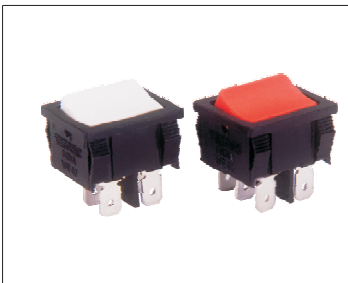
FUNCTIONS : F1,F2,F3,F4
 TERMINALS : B, C
 APPROVALS :



TYPE : NON-ILLUMINATED ONLY.
 FUNCTIONS : F1,F2,F3,F4,F5,F6,F7,F8
 TERMINALS : B



TYPE : NON-ILLUMINATED ONLY.
 FUNCTIONS : F1,F2,F3,F4,F5,F6,F7,F8
 TERMINALS : B
 APPROVALS:



WS 02 UL/CSA RATING : 6A, 125/250V ~ 6A 24V DC
 VDE RATING : 6(2)A, 250V ~
 : 6/45A(Inrush Current) 250V ~

WS 08 CSA RATING : 6A, 125/250V ~
 (μ Gap) VDE RATING : 6(2)A, 250V ~
 : 6/45A(Inrush Current) 250V ~

WS 08L : 6(2)A, 250V ~

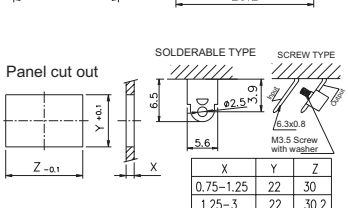
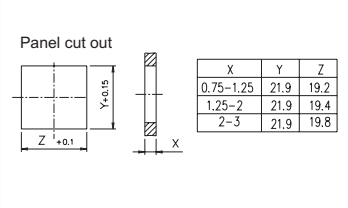
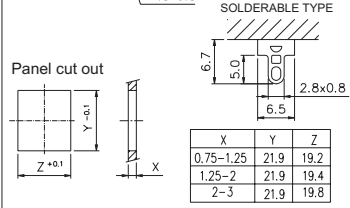
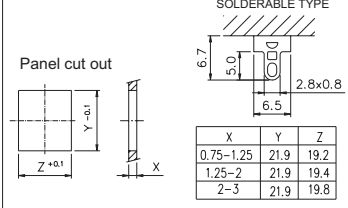
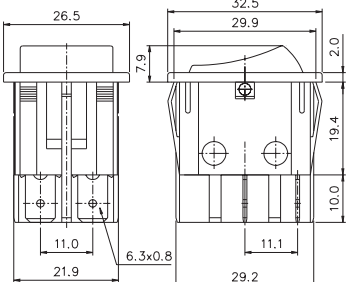
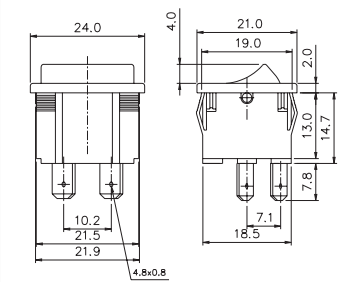
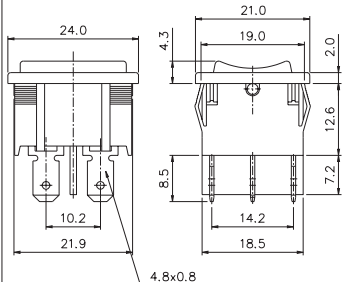
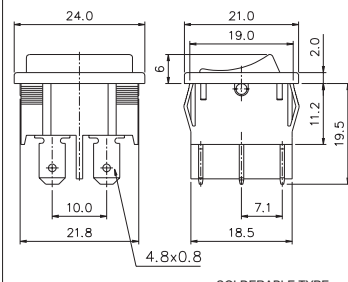
WS 04 UL RATING : 16A, 125/277V ~ 3/4 HP, 16A 24V DC
 CSA RATING : 16A, 125/250V ~
 VDE RATING : 16(4)A, 250V ~
 KEMA RATING : 16(4)A, 250V ~ 50E3
 (ENEC) : 16/100A(Inrush Current) 250V ~50E3
 : 20(6)A, 250V ~
 : 20/150A(Inrush Current) 250V ~

POLES : DOUBLE

POLES : DOUBLE

POLES : DOUBLE

POLES : DOUBLE

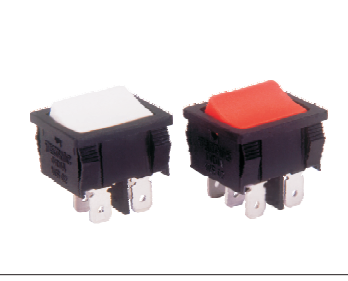
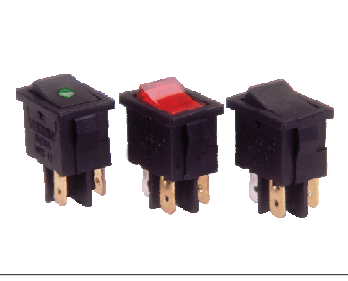
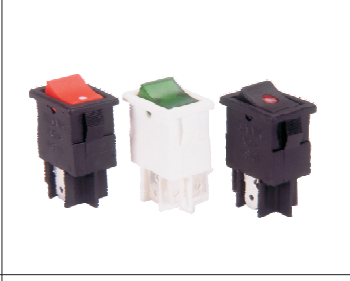


TYPE : NON-ILLUMINATED ONLY.
 FUNCTIONS : F1,F2,F3,F4,F5
 TERMINALS : A, C
 APPROVALS :

TYPE : NON-ILLUMINATED ONLY.
 FUNCTIONS : F6,F7,F8
 TERMINALS : A, C
 APPROVALS :

TYPE : ILLUMINATED ONLY.
 FUNCTIONS : F1
 TERMINALS : B

FUNCTIONS : F1,F2,F3,F4
 TERMINALS : B, C, S
 APPROVALS:



WS 06 UL RATING : 16A, 125/277V ~ 3/4 HP, 16A 24V DC
 CSA RATING : 16A, 125/250V ~
 VDE RATING : 16(4)A, 250V ~ 50E3
 KEMA RATING : 16(4)A, 250V ~ 50E3
 (ENEC) : 16/100A(Inrush Current) 250V ~50E3
 : 20(6)A, 250V ~ 1E4
 : 20/150A(Inrush Current) 250V ~

WS 01 CSA RATING : 4A, 125/250V ~
 VDE RATING : 6(2)A, 250V ~
 : 6/45A(Inrush Current) 250V ~
 : 6/100A(Inrush Current) 250V ~

WS 11 UL/CSA RATING : 16A, 125/250V ~ 16A 24V DC
 VDE RATING : 16(6)A, 250V ~
 : 10/100A(Inrush Current) 250V ~
 KEMA RATING : 10(4)A, 250V ~
 (ENEC)

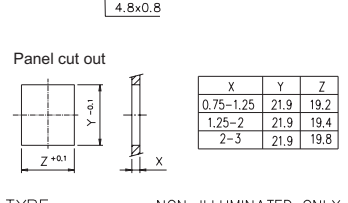
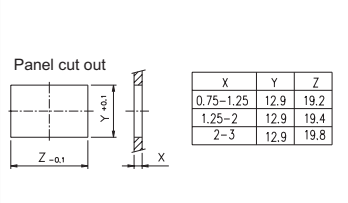
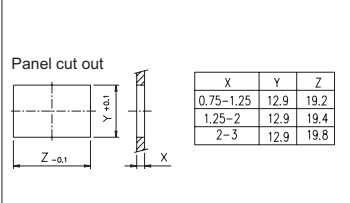
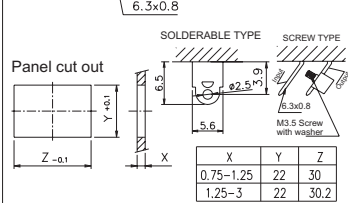
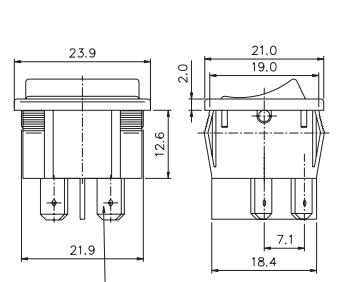
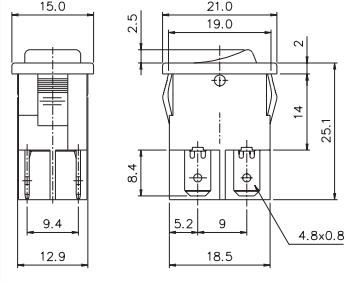
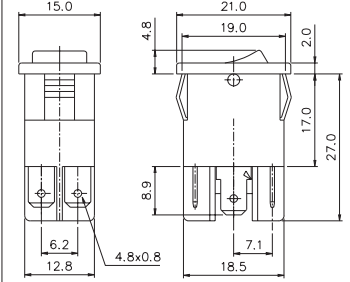
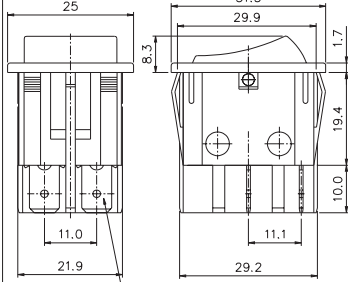
WS 12 UL/CSA RATING : 16A, 125/250V ~ 1/2 HP,
 : 16A 24V DC
 VDE RATING : 16(6)A, 250V ~
 : 10/100A(Inrush Current)250V~

POLES : DOUBLE

POLES : DOUBLE

POLES : DOUBLE

POLES : DOUBLE



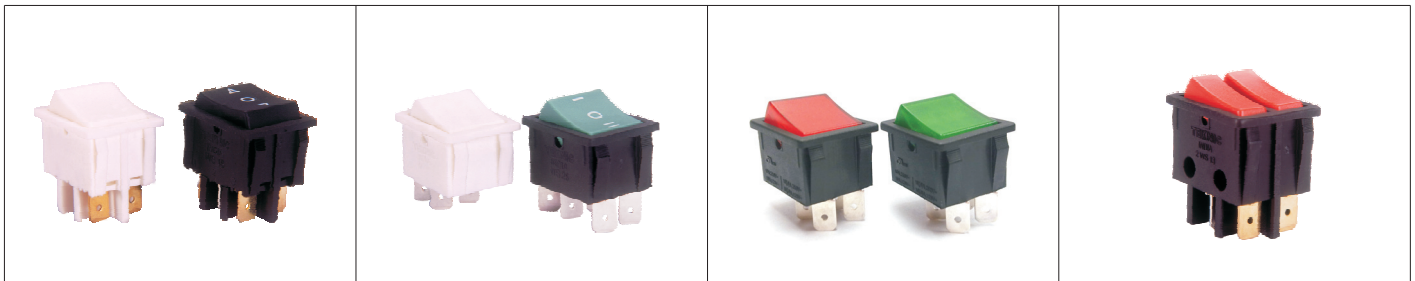
FUNCTIONS : F1,F2,F3,F4
 TERMINALS : B, C, S
 APPROVALS:

FUNCTIONS : F1,F4
 TERMINALS : A
 APPROVALS :

FUNCTIONS : F1
 TERMINALS : A
 APPROVALS:

TYPE : NON-ILLUMINATED ONLY.
 FUNCTIONS : F1,F4
 TERMINALS : A
 APPROVALS :

All dimensions are in mm



WS 15 RATING : 6(2)A,250V AC
(μ Gap)

POLES : DOUBLE

WS 25 UL/CSA RATING: 16A, 125/250V ~ 16A 24V DC
KEMA RATING : 16(4)A, 250V ~
(ENEC) : 16/45A(Inrush Current), 250V ~

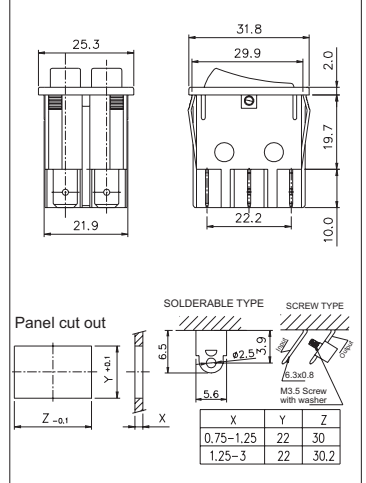
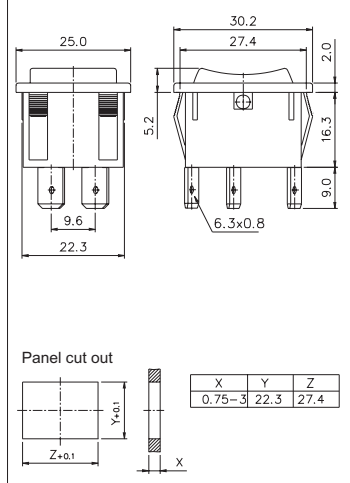
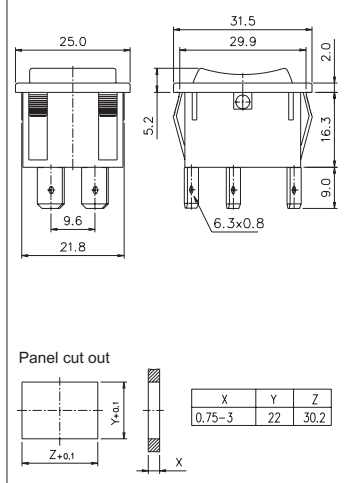
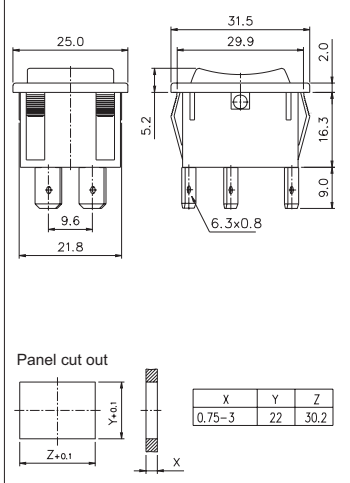
POLES : DOUBLE

WS 35 UL/CSA RATING: 16A, 125/250V ~ 16A 24V DC
KEMA RATING : 16(4)A, 250V ~
(ENEC)

POLES : DOUBLE

2WS 13 RATING : 16(4)A, 250V ~
UL/CSA RATING: 16A, 125/250V ~ 16A 24V DC
CAPACITIVE : 16/150A 250V~5E4
LOAD RATING
INTERNAL TESTING

POLES : SINGLE



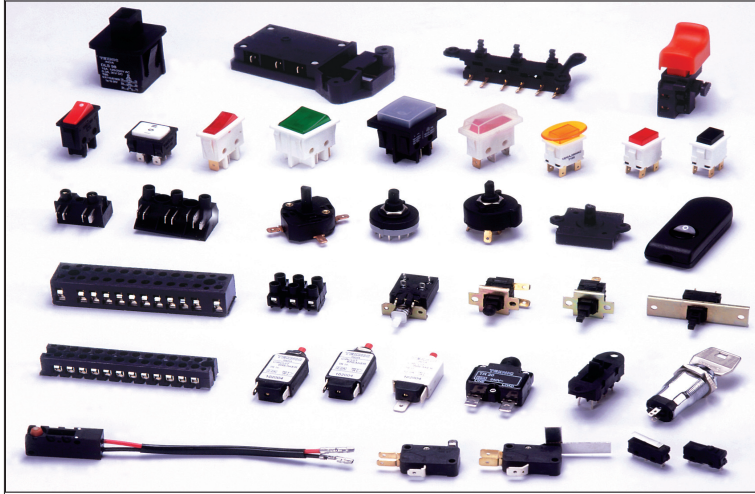
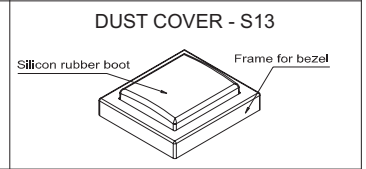
FUNCTIONS : F1,F2,F3,F4,F5,F6,F7,F8
TERMINALS : B

FUNCTIONS : F1,F2,F3,F4,F5,F6,F7,F8
TERMINALS : B
APPROVALS

FUNCTIONS : F1,F2,F3,F4,F5,F6,F7,F8
TERMINALS : B
APPROVALS

FUNCTIONS : F1,F2,F3,F4
TERMINALS : B, C
APPROVALS :

- OTHER PRODUCTS**
1. CIRCUIT BREAKERS FOR EQUIPMENT
 2. MINIATURE MICRO SWITCHES
 3. SUB-MINIATURE MICRO SWITCHES
 4. ROTARY SWITCHES
 5. PUSH PUSH SWITCHES
 6. SLIDE SWITCHES
 7. DOOR INTERLOCK SWITCHES
 8. KEY SWITCHES
 9. TERMINAL STRIPS
 10. SPECIAL PURPOSE SWITCHES



TEKNIC ELECTROMECONICS PVT. LTD.

: 36, SNS CHAMBERS, 239, SANKEY ROAD, BANGALORE – 560 080
Tel. (080) 23619348/23617867. Fax : (080) 23618607.
E-MAIL: teknic ofs@satyam.net.in

: 93, Electronics City, Hosur Road, Bangalore – 560 100
Tel. (080) 28520472/28520714. Fax. (080) 28520254.
E.MAIL: tepl_wks@satyam.net.in

: 703, 'Madhava', Bandra Kurla Complex, Bandra(East), Mumbai-400 051
Tel. (022) 26592392/94. Fax. 26592391
E.MAIL: teknic@vsnl.com
Website : www.teknico.co.in